

SIRAK



SATURN II

SIRAK

SATURN II

Series 1, Modular
Footed Bowl, 2 Segments

O/A DIMENSIONS:

DIA 24 x H26 in
DIA 61 x H66 cm

VOID DIMENSIONS:

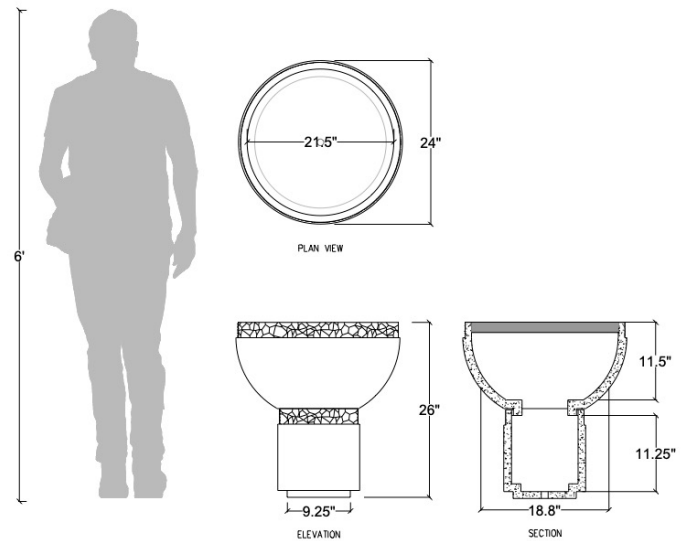
DIA 21.5 x D23.75 in
DIA 54.6 cm x 60.3 cm

WEIGHT: 115 LBS. / 52 KGS.

CUSTOMIZATION:

- Each segment can be made with or without the band of hammered texture.
- Available with or without drainage port.
- Soil volume can be controlled by designating the floor segment.

Material: Cast Concrete. Made by Hand in California.



Alabaster

Sand

Ash

Clay

Mud