

SIRAK



SATURN III

SIRAK

SATURN III

Series I, Modular
Footed Bowl, 3 Segments

O/A DIMENSIONS:

DIA 24 x H38 in
DIA 61 x H96.5 cm

VOID DIMENSIONS:

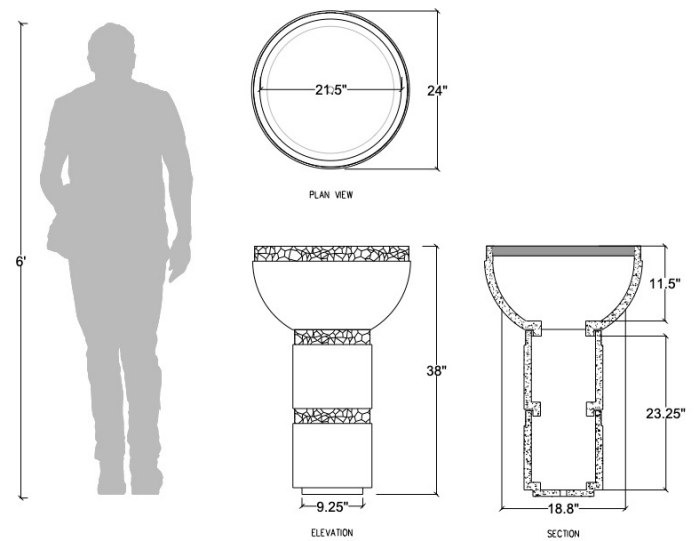
DIA 21.5 x D35.75 in
DIA 54.6 cm x 90.8 cm

WEIGHT: 156 LBS. / 71 KGS.

CUSTOMIZATION:

- Each segment can be made with or without the band of hammered texture.
- Available with or without drainage port.
- Soil volume can be controlled by designating the floor segment.

Material: Cast Concrete. Made by Hand in California.



Alabaster

Sand

Ash

Clay

Mud